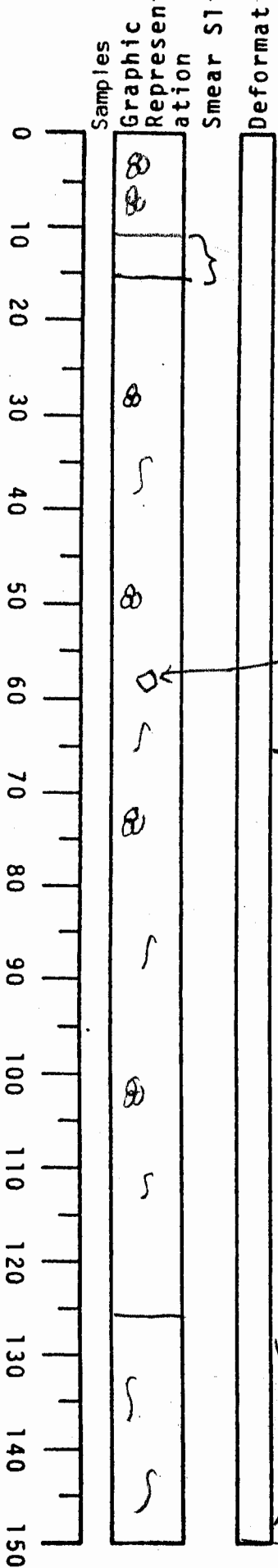


VISUAL CORE DESCRIPTION

1 of 3

LOCATOR				SAMPLE NO.			SEC.
G	9	7	-	P	C	-	3
				4			1
							2

STATION#	OBSERVER
	Gita



0-15 Forams abndt
 dark yellowish brown clay
 10yR4/2, 50mpt
 manganese staining

20-125
 light olive gray clay 5Y 5/2
 moderately burrowed - filled w/ darker gray clay
 abundant forams 1-2 cm burrows

large white shell
 - is end of section 1

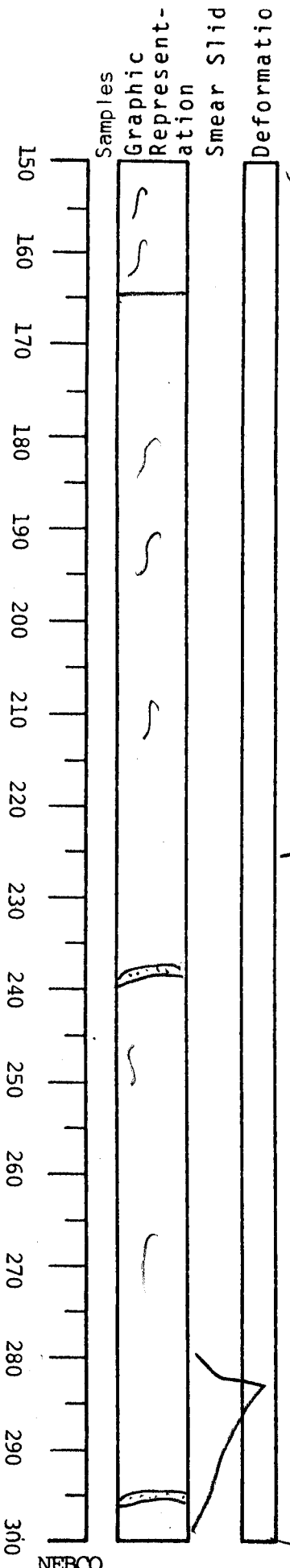
130-135 possible H/p1 Burrowed
 - beginning of brown layer

gradational contact
 125-160 olive gray clay 5Y 4/1
 moderately burrowed - mottled appearance
 - slightly brownish color
 end of Section 2 (not differentiated on chart)

VISUAL CORE DESCRIPTION

LOCATOR				SAMPLE NO.		SEC.
G	9	7	-6	PC	-34	34

STATION#			OBSERVER
			Gita



mottled, irregular
gradational appearance
contact

160-210
burrows become a little more distinct
Filled w/ darker gray clay
burrows 1/2 - 5 cm. average 1 cm.

160-410 dark greenish gray SGY 4/1

-225 end of section 3

248 3mm silt bed

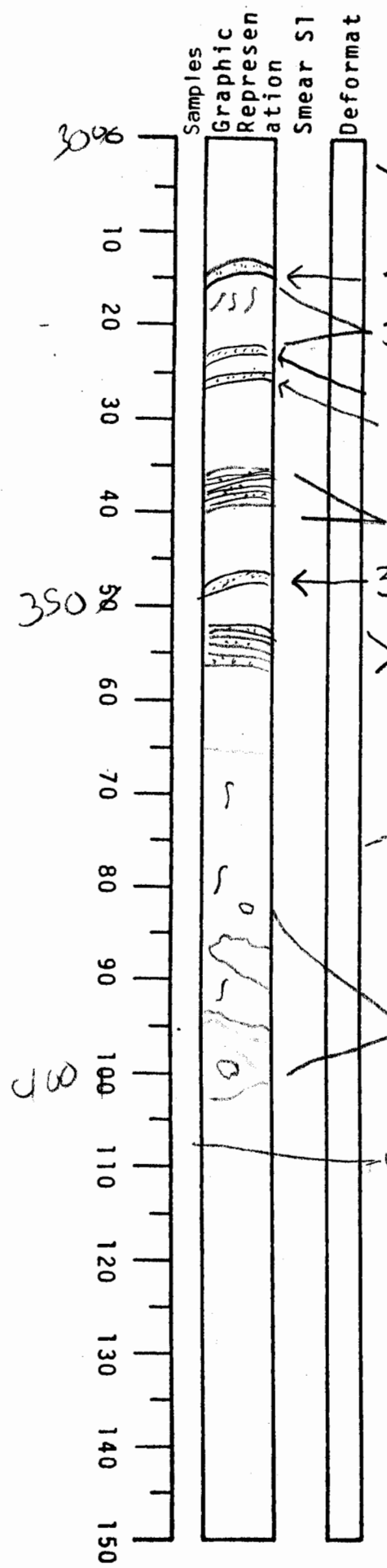
280-315. Absence of burrowing
Smooth

297 2mm silt bed

end of section 4

VISUAL CORE DESCRIPTION

LOCATOR				SAMPLE NO.		SEC.	
Q97-6				PC-3456			
STATION#				OBSERVER			
				Gita			



little to no burrowing
 → 315 smooth
 314 6 mm silt bed
 315-320 1cm distinct burrows filled w darker gray clay
 324 - thin 1-2 mm thick silt bed
 326 - thin 1-2 mm thick silt layer
 interbedded silt + clay layers
 336, 337, 338, 339 - 2 mm silt layer
 348 wider - 5mm silt
 interbedded silt + clay layers (silt 2-3mm)
 (NO burrowing from 325-360)
 -375 end of section 5
 extensive burrowing 365-410
 Burrowing or clasts?
 410 end of section 6
 365-410 looks chaotic?
 clast or burrowing?