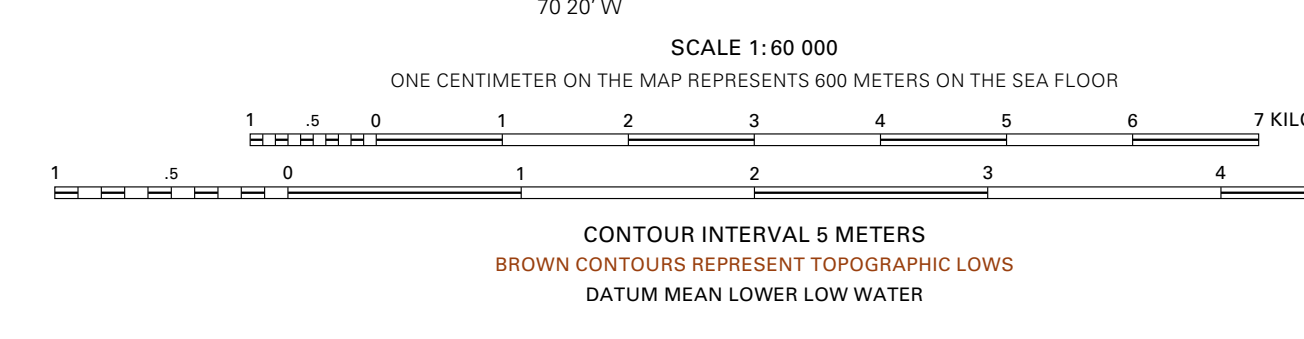


Mercury projection: Geoid, Reference System: 1980, North American Datum 1983  
Longitude of prime meridian: 75.19° W, Interval of the scale: 43.20° W  
This map is not intended for navigational purposes.



**MAP EXPLANATION**  
Boulder ridges  
Bedrock outcrops  
Station observation stations

Sheet 3.—Boulder ridges, bedrock outcrops, sun-illuminated sea floor topography, and stations.  
**MAP F.—DISTRIBUTION OF BOULDER RIDGES AND BEDROCK OUTCROPS IN THE  
STELLWAGEN BANK NATIONAL MARINE SANCTUARY REGION**

By  
Page C. Valentine, Lian A. Scully, and Sarah J. Fuller

2005  
See Floor Image Maps Showing Topography, Sun Illuminated Topography, Backscatter Intensity, Ruggedness, Slope,  
and the Distribution of Boulder Ridges and Bedrock Outcrops in the Stellwagen Bank National Marine Sanctuary Region off Boston, Massachusetts  
Page C. Valentine, editor

